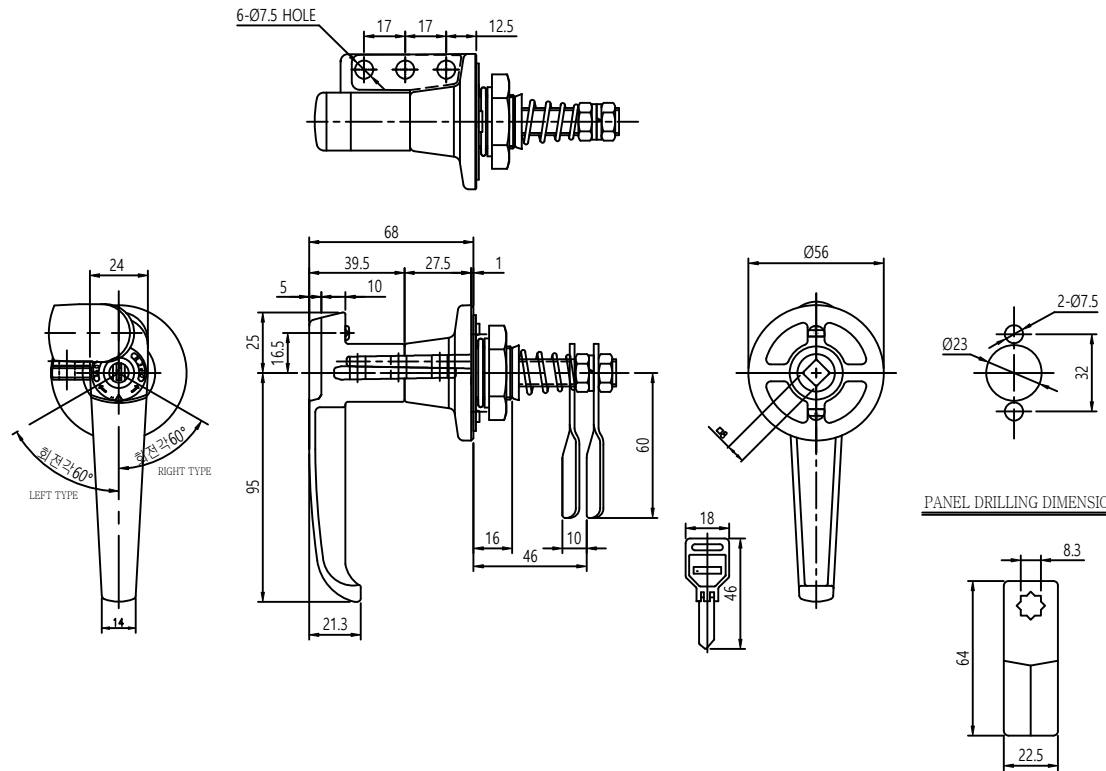


REV. NO. (Part/rev. DRAW. No.)	
DATE (DRAW. No.)	

MARK	DATE	DETAIL OF REVISION	CHECK	APP.
▲				



PANEL DRILLING DIMENSIONS.

KBH-110M-2KL,2KR

GENERAL TOLERANCE				무공번	번호	양	것수	재	비	고
LEVEL	A LEVEL	B LEVEL	C LEVEL	Part No.	No.	Part Name	Qt'y.	일	고	고
1-4	±0.07	±0.10	±0.20							
4-6	±0.07	±0.20	±0.25							
10-43	±0.10	±0.30	±0.50							
63-250	±0.18	±0.55	±1.00							
250-500	±0.30	±0.90	±1.50							
500-1000	±0.50	±1.50	±2.50							



DATE: 2011.01.11
 MODEL No.: A1
 DRAW No.: 110M-2KL,2KR